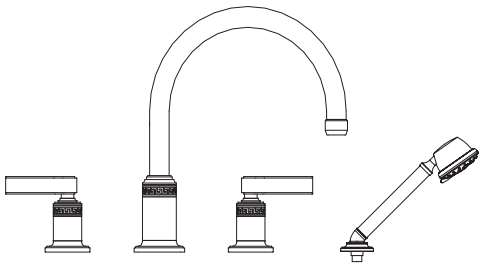


Roman tub filler with handheld / multifunction handheld
Relleno bañera romana con portátil / multifunción portátil

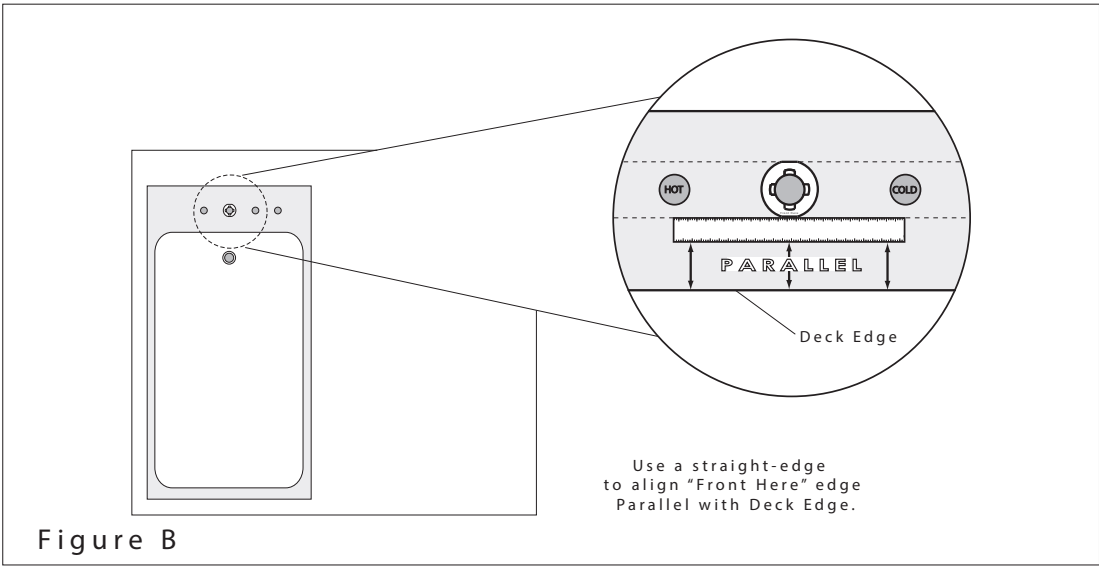
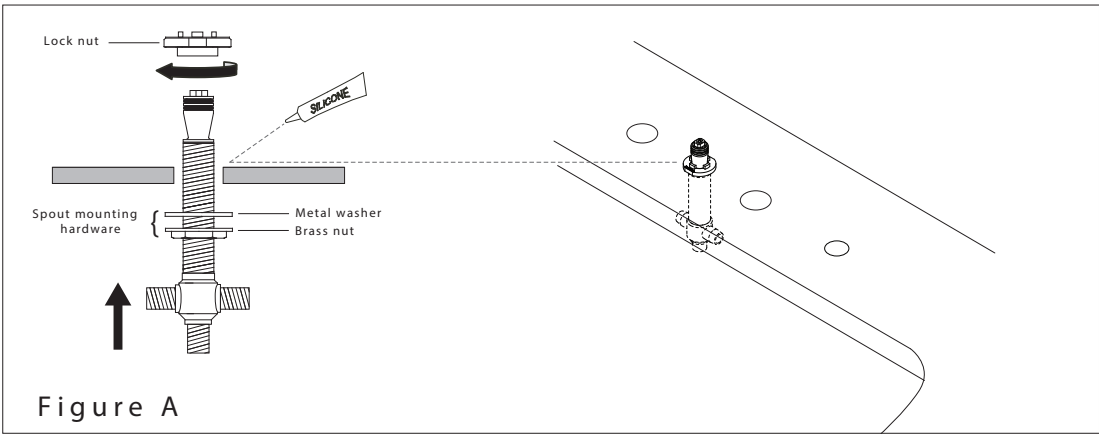
Model number / Número de modelo
12 7208 __ / 12 7238 __
11 7208 __ / 11 7238 __

Series / Serie
Esconte / Priani



3501 Challenger Street, Torrance, CA 90503
TEL 310.371.8000 FAX 310.303.7999

Spout Rough / Boquilla Rough



Spout Rough / Boquilla Rough

NOTE: Hole size for the spout, handle trim, and handheld shower is a minimum of 1-1/4" and a maximum of 1-1/2".

NOTA: El tamaño del agujero de la boquilla, manija ajuste, y ducha de mano es un mínimo de 1-1 / 4 "y un máximo de 1-1 / 2".

NOTE: Only remove protective cap while installing rough and when installing the trim. This will keep debris out of moving parts.

Remove protective cap from the head of the shank. DO NOT THROW AWAY.

Turn off HOT and COLD supply lines before beginning installation.

Unscrew the Lock Nut off of the shank and move down the Spout Mounting Hardware a few inches (Figure A).

Apply a ring of silicone caulking around deck hole (Figure A). DO NOT USE PLUMBER'S PUTTY, WHICH CAN DAMAGE THE FINISH.

Slip the remaining Shank Assembly up and through the deck hole from underneath. While holding the assembly up and off of the silicone, thread the lock nut back onto the shank until it bottoms out (Figure A).

NOTE: Find the "front here" mark, which is marked on the base of the Lock Nut, and make sure that it is facing frontward (See magnified graphic in Figure B).

IMPORTANT: Set the shank down onto the ring of silicone with the "front here" mark facing frontward. Use a long straight edge to align the front of the lock nut parallel with the deck edge. From underneath, tighten the spout mounting hardware until secure (see Figure B).

Wipe away excess silicone with paper towel.

Fit the protective cap back onto the head of the shank until trim is ready for installation.

NOTA: Sólo retire la tapa protectora durante la instalación áspera y al instalar la moldura. Esto evitará que los residuos fuera de partes móviles.

Retire la tapa protectora de la cabeza del vástago. NO TIRE.

Apague las líneas de suministro caliente y fría antes de comenzar la instalación.

Desenrosque la tuerca de seguridad fuera de la espiga y bajar el hardware de montaje Boquilla unas pocas pulgadas (Figura A).

Aplicar un anillo de masilla de silicona alrededor del agujero de cubierta (Figura A). NO USE masilla de plomero, que pueden dañar el acabado.

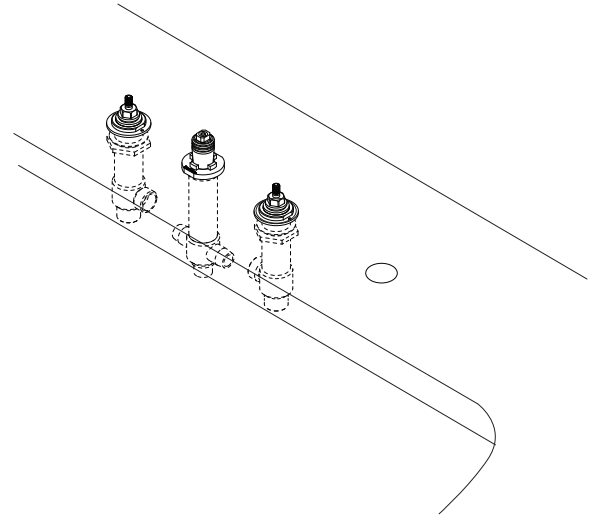
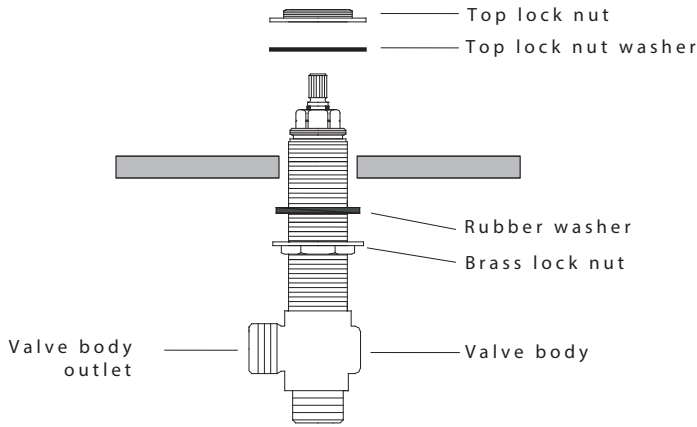
Deslice la Asamblea caña restante y por el agujero cubierta desde abajo. Mientras sostiene el conjunto hacia arriba y fuera de la silicona, enrosque la tuerca de seguridad de nuevo en el vástago hasta que toque fondo (Figura A).

NOTA: Encontrar la marca "frente aquí", que está marcado en la base de la tuerca de seguridad, y asegurarse de que se enfrenta hacia el frente (Ver gráfico ampliado en la figura B).

IMPORTANTE: Ajuste el vástago hacia abajo sobre el anillo de silicona con la marca "frente aquí" frente hacia adelante. Utilice un borde recto larga para alinear la parte delantera de la tuerca de bloqueo en paralelo con el borde de la cubierta. Desde abajo, apriete las piezas de montaje del surtidor hasta que quede firme (ver Figura B).

Limpie el exceso de silicona con una toalla de papel.

Colocar la tapa protectora de nuevo en la cabeza de la espiga hasta que el ajuste está listo para instalación.



Rough Installation For Handle

Remove protective cap from the head of the valve.

NOTE: Hot valve "Red" mounted to left side.

Cold valve "Blue" to be mounted to right side.

Remove the Top Lock Nut and Top Lock Nut Washer from the valve body.

Apply a ring of silicone caulking around deck hole. DO NOT USE PLUMBER'S PUTTY, WHICH CAN DAMAGE THE FINISH.

NOTE: While tightening the valve body into place make sure to keep the position of the valve body outlet pointed toward the spout shank.

Slip the Valve Body up and through the proper deck hole from underneath. Thread the Top Lock Nut and Top Lock Nut Washer back onto the Valve Body and tighten down securely.

From underneath, tighten the Brass Lock Nut securely.

Fit the protective cap back onto the head of the shank until trim is ready for installation.

Instalación Rough Para Mango

Retire la tapa protectora de la cabeza de la válvula.

NOTA: La válvula caliente "Rojo" montada en el lado izquierdo.

Válvula de frío "azul", que se monta en el lado derecho.

Retire la tuerca de seguridad Top y Top Lock Tuerca Arandela del cuerpo de la válvula.

Aplicar un anillo de masilla de silicona alrededor del agujero de la cubierta. NO USE masilla de plomero, que pueden dañar el acabado.

NOTA: Mientras aprieta el cuerpo de la válvula en su lugar, asegúrese de mantener la posición de la salida del cuerpo de la válvula apuntando hacia el vástago del surtidor.

Deslice el cuerpo de la válvula y por el agujero cubierta adecuada desde abajo. Pase el Tuerca Top y Top Lock Tuerca Arandela de nuevo en el cuerpo de la válvula y apriete firmemente.

Desde abajo, apriete la tuerca de seguridad de latón con seguridad.

Colocar la tapa protectora de nuevo en la cabeza de la espiga hasta que el ajuste está listo para installation.

Figure A

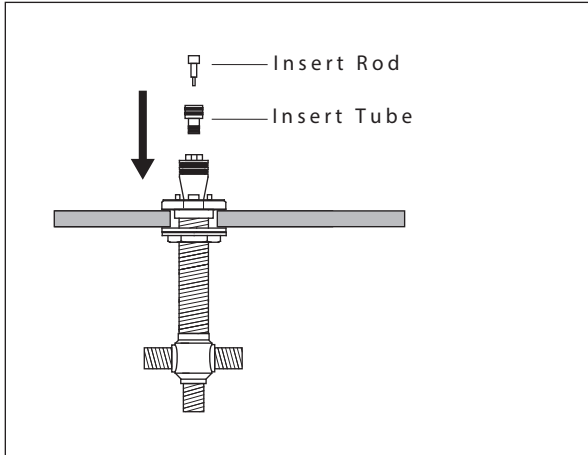
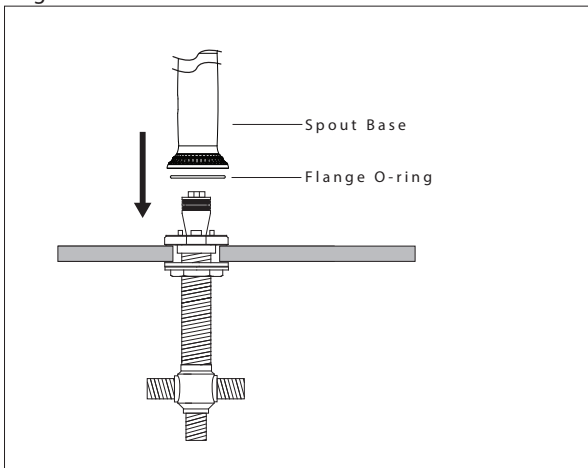


Figure B



Spout Trim Installation

Remove the protective cap from the head of the shank.

Push the insert tube into the head of the spout shank (See Figure A).

Screw the Insert Rod in the Insert Tube and position the thread holes of the Insert Rod facing frontward and rearward.

NOTE: Before attaching spout, make sure to have the Insert Rod hole on the spout base facing exactly rearward.

Slip the spout with the Flange Washer over the Spout Shank top and push down until the base is locked securely onto the deck (See Figure B on next page).

IMPORTANT: Use a straight-edge to align the edge of the spout base exactly parallel with the deck edge. If the spout base is not straight with the deck edge then loosen the spout mounting hardware from underneath, align, and re-secure.

Screw the Lift Knob securely into place (See Figure C on next page).

Tighten the set screw with the provided Allen Key (See Figure C on next page).

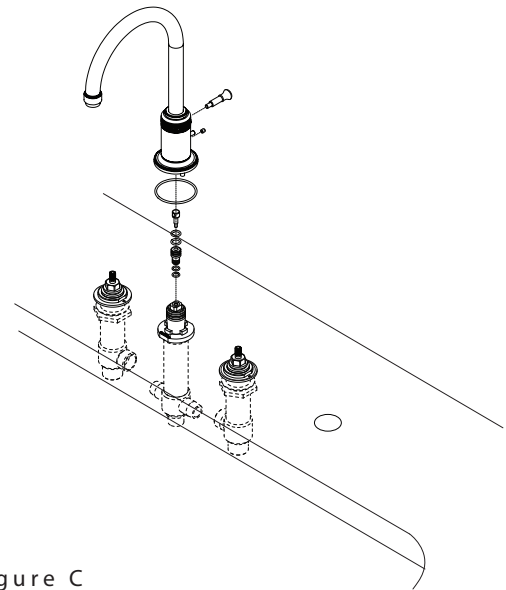
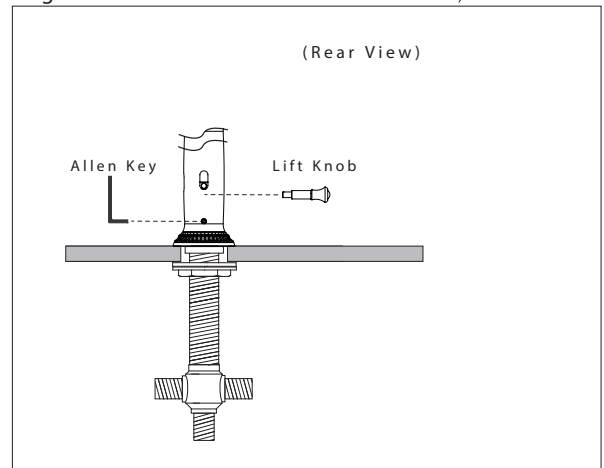


Figure C



Instalación Boquilla de ajuste

Retire la tapa protectora de la cabeza del vástago.

Empuje el tubo de inserción en la cabeza del vástago del surtidor (Ver Figura A).

Tornillo de la varilla de inserción en el tubo de inserción y la posición de los orificios de rosca de la varilla de inserción hacia delante y hacia atrás.

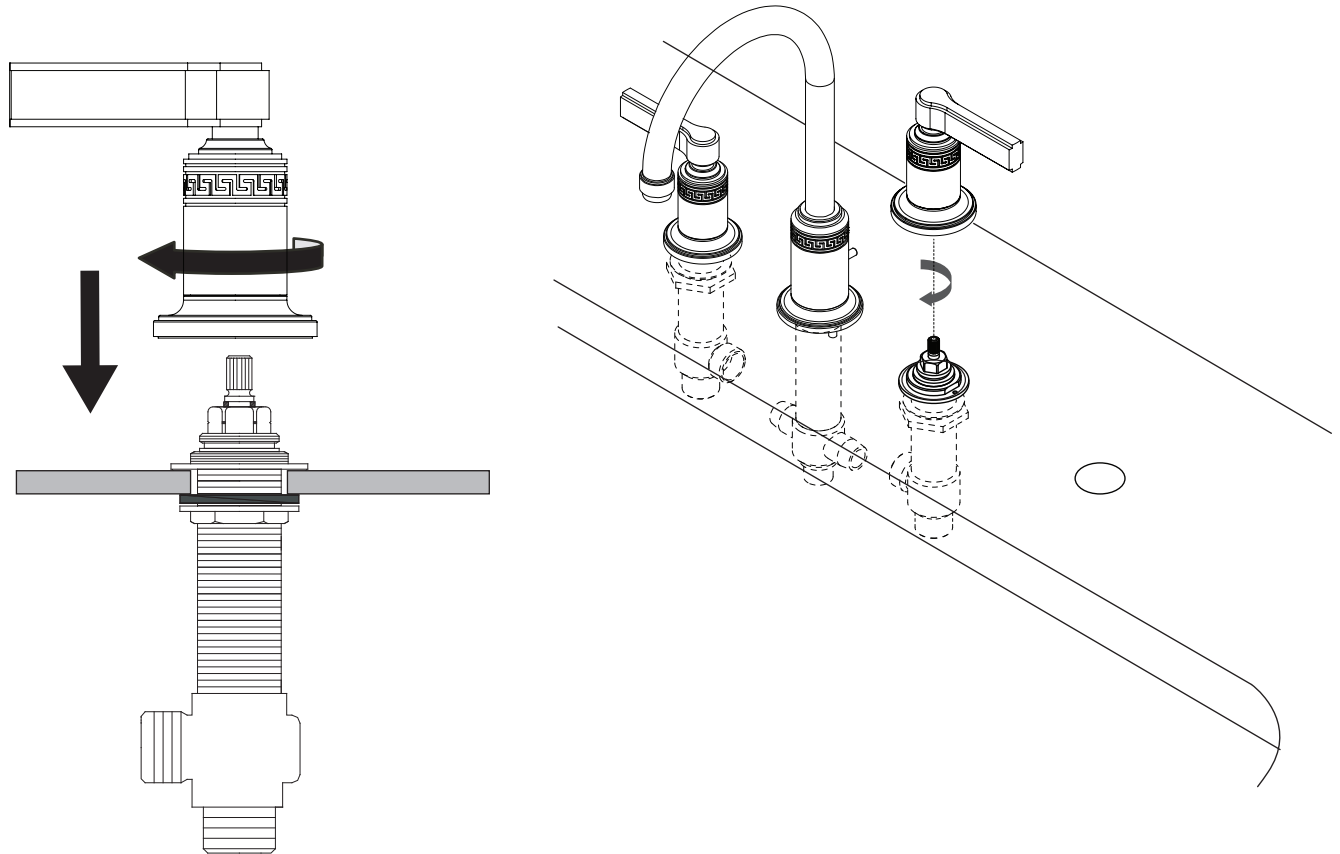
NOTA: Antes de fijar caño, asegúrese de tener el agujero Inserte Rod en la base del surtidor hacia exactamente hacia atrás.

Deslice el surtidor con la arandela de brida en la parte superior el vástago del conductor y empuje hacia abajo hasta que la base esté bien encajado en la cubierta (Ver Figura B en la página siguiente).

IMPORTANT: Utilice un borde recto para alinear el borde de la base del surtidor exactamente paralela al borde de la cubierta. Si la base del surtidor no es recto con el borde de la cubierta y luego aflojar el hardware de montaje del surtidor desde abajo, alinear, y re-seguro.

Tornillo de la perilla de elevación de forma segura en su lugar (Ver Figura C en la página siguiente).

Apriete el tornillo de fijación con la llave Allen suministrada (Ver Figura C en la página siguiente).



Handle Trim Installation

NOTE: In the "off" positions the "Hot" handle lever (left) should be in the "9 o'clock" position, and the "Cold" handle lever (right) should be in the "3 o'clock" position. In the "on" positions the levers should both turn towards you, not away from you.

Fit the handle down onto the installed valve body making sure that the handle levers are in a parallel line with the spout.

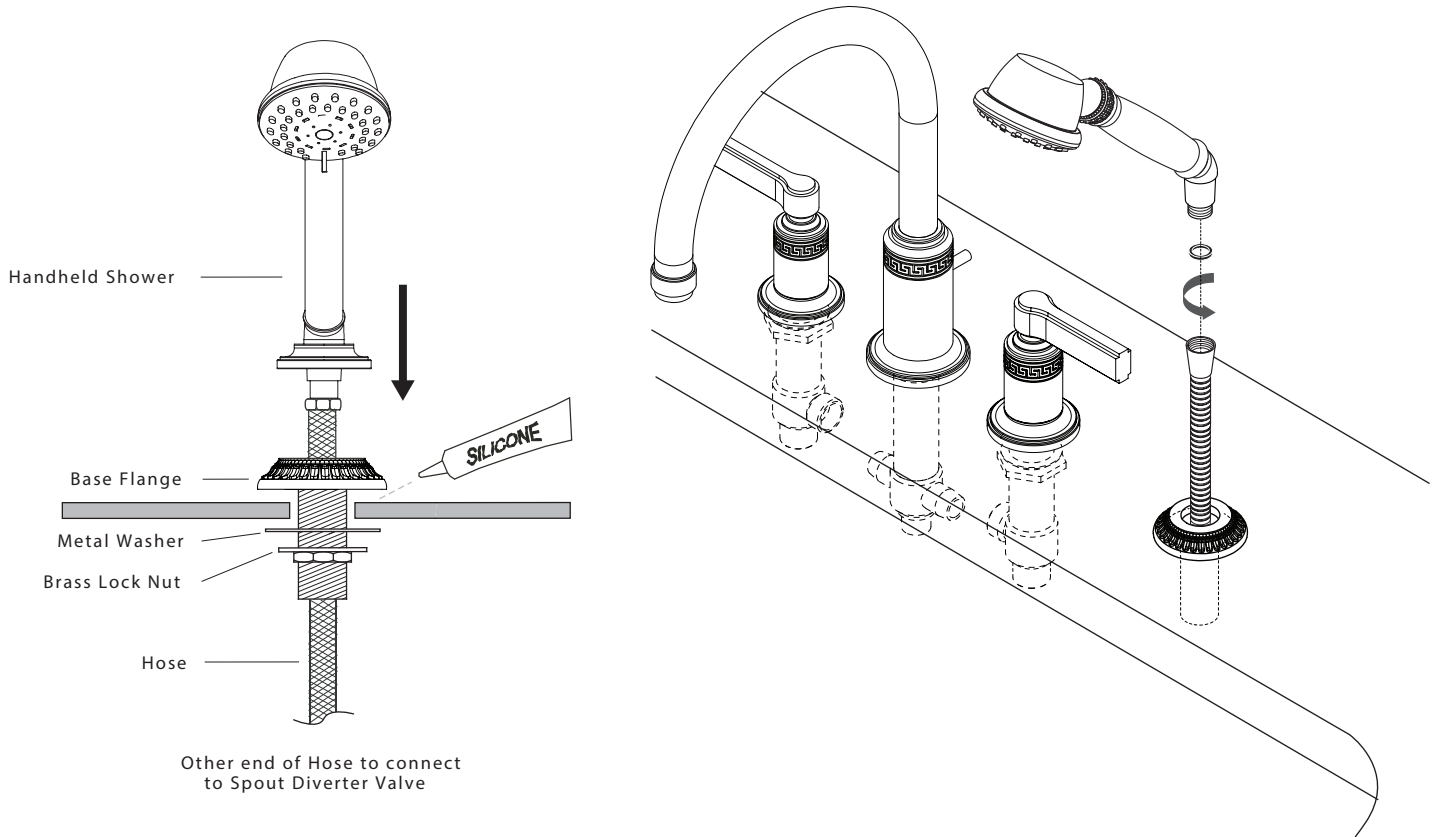
Turn the trim body clockwise onto the valve body until tightened down securely.

Maneje instalación Recorte

NOTA: En la posición de "apagado" posiciones de la "caliente" palanca de empuñadura (izquierda) debe estar en la posición de "nueve", y el "frío" palanca de mango (derecha) debe estar en el "tres". En los "en" posiciones de las palancas deben girar tanto hacia usted, no lejos de ti.

Coloque el mango hacia abajo sobre el cuerpo de la válvula instalada asegurándose de que las palancas de mango están en una línea paralela con el pico.

Gire el cuerpo de ajuste en sentido horario en el cuerpo de la válvula hasta apretado hacia abajo Instalación securely.Handle Recortar



Handle Trim Installation

Apply a ring of silicone caulking around the hole designated for the handheld shower. Do not use plumber's putty, which can damage the finish.

Remove the hardware from Base Flange. Slip the Base Flange through the appropriate hole in deck. From underneath, attach the Metal Washer and Brass Lock Nut. Tighten firmly to avoid leakage.

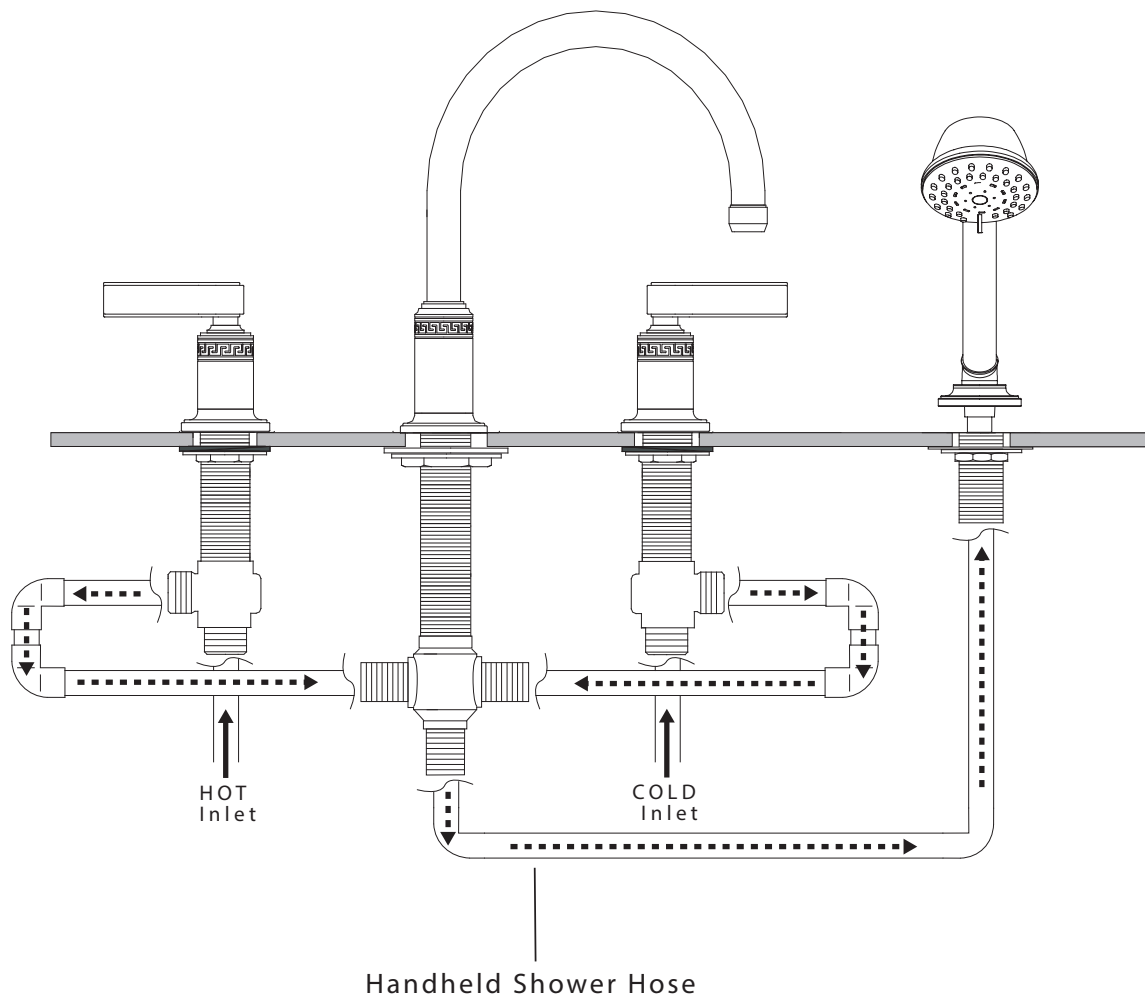
From underneath the deck attach the larger side of the 57" hose to the Spout Diverter Valve. Slip the smaller end of the hose up through the base flange and connect to the handheld shower. Tighten both ends firmly to avoid leakage.

Maneje instalación Recorte

Aplicar un anillo de masilla de silicona alrededor del agujero designado para la ducha de mano. No use masilla de plomero, que pueden dañar el acabado.

Retire el hardware de Brida Base. Deslice la brida de la base a través del agujero apropiado en la cubierta. Desde abajo, coloque la arandela de metal y latón tuerca de seguridad. Apriete con firmeza para evitar fugas.

Desde debajo de la cubierta de adjuntar el lado mayor de la "manguera de 57 a la válvula de desvío del canalón. Deslice el extremo más pequeño de la manguera a través de la brida de la base y conectar con la ducha de mano. Apriete firmemente ambos extremos para evitar fugas.



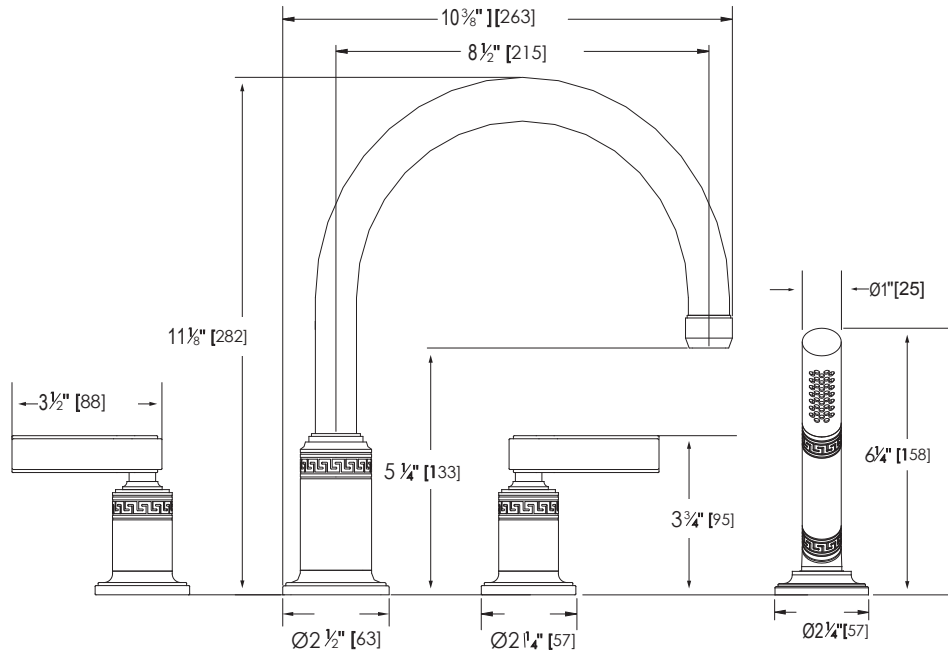
NOTE: The manufacturer recommends the use of hard pipe for all connections except for the handheld shower hose.

It is also recommended that an access panel be provided for all Roman Tub installations.

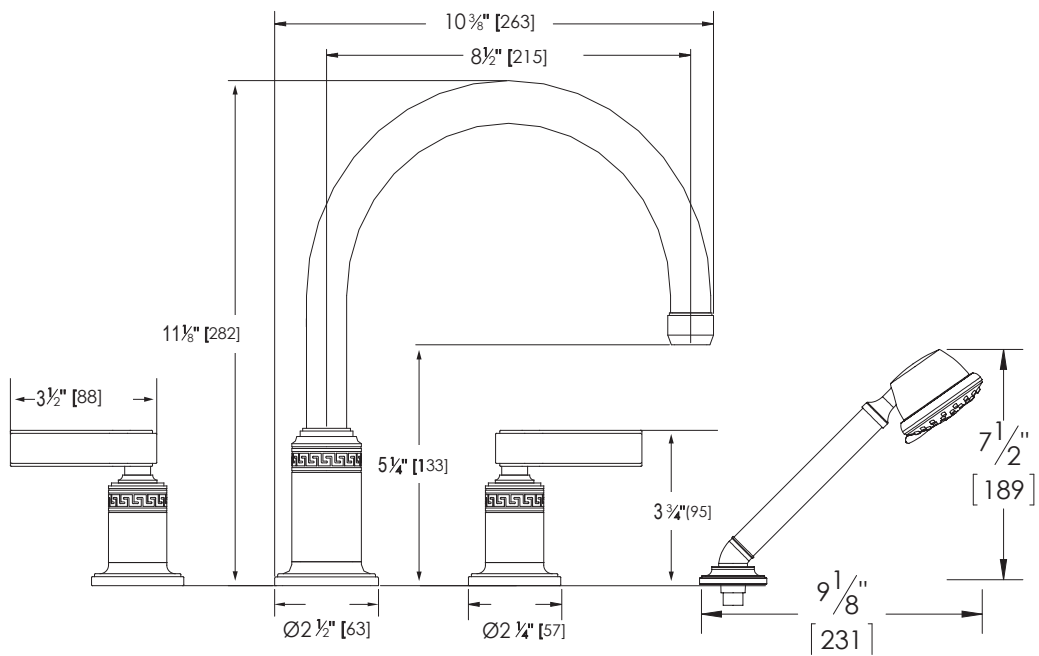
NOTA: El fabricante recomienda el uso de tubería dura para todas las conexiones excepto la manguera de la ducha de mano.

También se recomienda que se proporcione un panel de acceso para todas las instalaciones romana de hidromasaje.

11 7208__



11 7238__



VISSONI™

FINISH CARE INFORMATION

WARNING: Do not clean your VISSONI product with ammonia (Window cleaner), bleach, soaps, acids, abrasives, harsh polishes, harsh cleaners, a coarse surfaced cloth, coarse sponge, or any type of scouring pad. Doing so may ruin your faucet finish and/or void the warranty.

Thank you for making VISSONI a part of your lifestyle and luxury spa experience. Our products have been created as works of enduring quality and sophisticated design. Luxurious finishes need proper care and attention, so in order to understand how to properly clean your distinctive luxury finish please refer to the finish care information below:

Your VISSONI product can be identified in one of two categories: clear coated finishes or non-clear coated finishes. Clear coated finishes are more scratch-sensitive and more reactant to harsh cleaning chemicals than non-clear coated finishes. Once you have identified the specific luxury finish of your VISSONI product, please follow the important corresponding care instructions.

CLEAR COATED FINISHES

Polished & Satin 24K (Rose) Gold:

The Karat mark states the percentage of pure gold – 24K is 100 percent gold. As one of the Earth's most precious metals, gold is the most supple and malleable of all metals. Gold-plated faucets scratch easily. To clean, wipe down with a dry soft cloth after each use. Gold surfaces should be coated with a thin layer of non-abrasive carnauba wax or liquid car wax up to 3 or 4 times per year. This will prevent water spotting and water deposit buildup. We recommend using VISSONI's Polish which has been formulated to clean and seal, leaving behind a protective coating that will resist tarnishing and improve water repellency.

Matte Black & Antique Bronze:

Antique bronze simulates the antiquity of Old-World craftsmanship with a golden base color and a blend of dark undertones. To clean, wipe down with a dry soft cloth after each use. They should be coated with a thin layer of non-abrasive carnauba wax or liquid car wax up to 3 or 4 times per year. We recommend using VISSONI's Polish which has been formulated to clean and seal, leaving behind a protective coating that will resist tarnishing and improve water repellency.

Bright Victorian Bronze & Oil Rubbed Bronze:

Oil-rubbed bronze simulates the antiquity of Old-World craftsmanship with its warm, dark brown color and copper undertones. To clean, wipe down with a dry soft cloth after each use. They should be coated with a thin layer of non-abrasive carnauba wax or liquid car wax up to 3 or 4 times per year. We recommend using VISSONI's Polish which has been formulated to clean and seal, leaving behind a protective coating that will resist tarnishing and improve water repellency.

NON-CLEAR COATED FINISHES

Polished Chrome :

Chrome plating is extremely reflective, with a rich bluish luster. To clean, wipe down with a dry soft cloth after each use. A non-abrasive all-metal cleaner can then be applied to restore the shine. The surface can also be coated with a thin layer of non-abrasive carnauba wax or liquid car wax. This will prevent water spotting and water deposit buildup. We recommend using VISSONI's Polish which has been formulated to clean and seal, leaving behind a protective coating that will resist tarnishing and improve water repellency.

Platinum & Satin Platinum:

Platinum is the most precious of white metals and is over 20 times rarer than gold. It is also very durable and resists tarnishing. To clean, wipe down with a dry soft cloth after each use. A non-abrasive all-metal cleaner can then be applied to restore the shine. The surface can also be coated with a thin layer of non-abrasive carnauba wax or liquid car wax. This will prevent water spotting and water deposit buildup. We recommend using VISSONI's Polish which has been formulated to clean and seal, leaving behind a protective coating that will resist tarnishing and improve water repellency.

If you may have any further questions, comments, or concerns please write to us at www.info@vissoni.com.

VISSONI™

LIFETIME LIMITED WARRANTY

VISSONI is committed to enhancing your bathroom experience by creating luxury products that will provide enduring satisfaction. Every effort has been made to satisfy the highest standards of design and production, to create lasting peace of mind for our customers. We provide the following limited warranties on our products:

LENGTH OF WARRANTY & WHO IS COVERED BY OUR WARRANTY

This warranty extends to the original consumer purchaser only and extends for as long as the original purchaser owns the product and the home in which the product is installed.

WHAT IS COVERED BY OUR WARRANTY

Finishes:

Polished chrome, platinum, and satin platinum finishes carry a lifetime limited warranty against all manufacturer's defects and tarnish. 24k polished (rose) gold, and 24k satin (rose) gold finishes carry a five (5) year limited warranty against all manufacturer's defects and tarnish.

Antique bronze, bright victorian bronze, matte black, and oil-rubbed bronze finishes carry a five (5) year Limited Warranty against all manufacturer's defects and tarnish. There is no warranty on living finishes.

Mechanical:

A Lifetime Limited Warranty is provided on parts to be free from failure related to defects in materials and workmanship. Vissoni cartridges carry a Five (5) Year Limited Warranty against manufacturer's defects.

EXCLUSIONS AND LIMITATIONS OF WARRANTY

This warranty does not cover:

1. Damage due to negligence, accident, abuse, improper installation, or improper maintenance such as, but not limited to: heat from soldering during installation, the use of plumber's putty, damage from tools used during installation, the use or exposure to chemicals or cleaning products either abrasive or non-abrasive, or the use of any cleaning tool or product other than a soft, clean cloth. Reverse osmosis may also shorten the life of the finish.
2. Changes in the finish or in the product due to normal wear or aging does not cover any products or parts which have been altered or used in a manner not typical for the product.
3. Loss, damages, or expense, incidental or consequential whatsoever, originating from the purchase, installation, use, repair, failure, or replacement of any VISSONI product or part, allowed by law.
4. Commercial and/or Industrial installations and use of the product.
5. This warranty does not include labor, travel charges, or any costs incurred for repair, removal, installation, servicing, diagnosing, or handling of either defective or replacement parts.
6. Damage or deterioration caused by environmental impacts.

The product or components of the covered product will be repaired, refinished, or replaced, at the sole discretion of VISSONI. VISSONI reserves the right to examine the product claimed defective prior to any warranty claim being accepted or processed, at its sole discretion. This warranty gives you specific legal rights and you may have other rights which may vary from state to state.

TO OBTAIN WARRANTY SERVICE

Please read 'WHAT IS COVERED BY OUR WARRANTY' and 'EXCLUSIONS AND LIMITATIONS OF WARRANTY' sections to understand what is and what is not covered. Please have ready the proof of purchase (original sales receipt), description of the problem, and carefully package the product or defective part with postage prepaid. Then, please contact your local VISSONI Showroom or write to VISSONI Customer Services.

If you may have any further questions, comments, or concerns please write to us at www.info@vissoni.com.