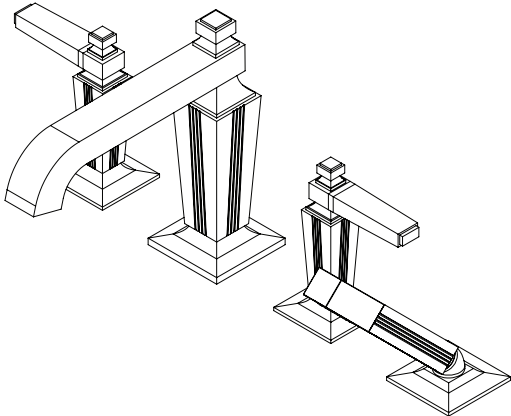




Roman tub filler with handheld / multifunction handheld
Relleno bañera romana con portátil / multifunción portátil

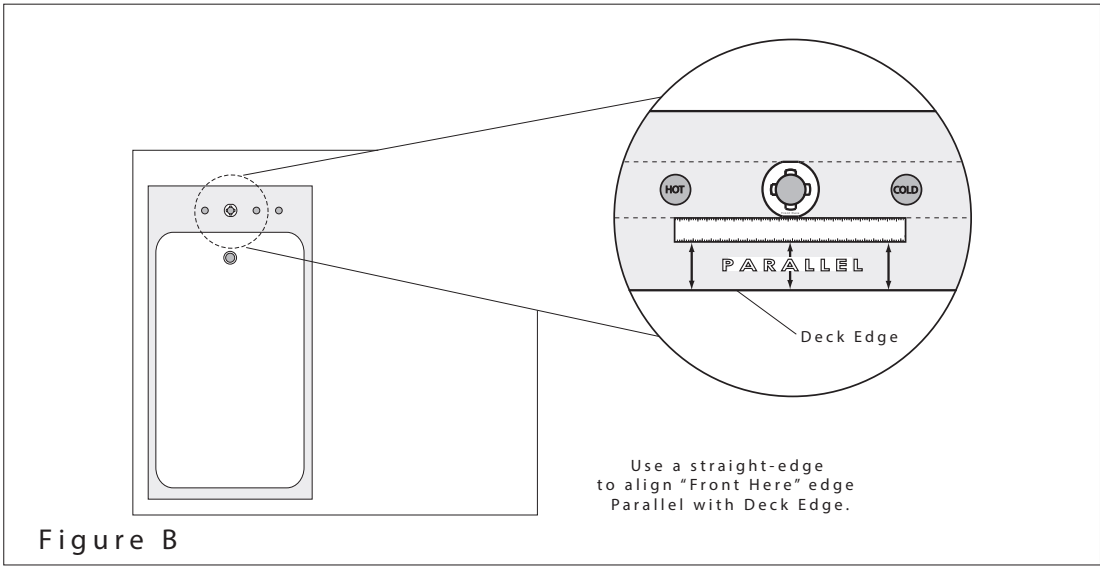
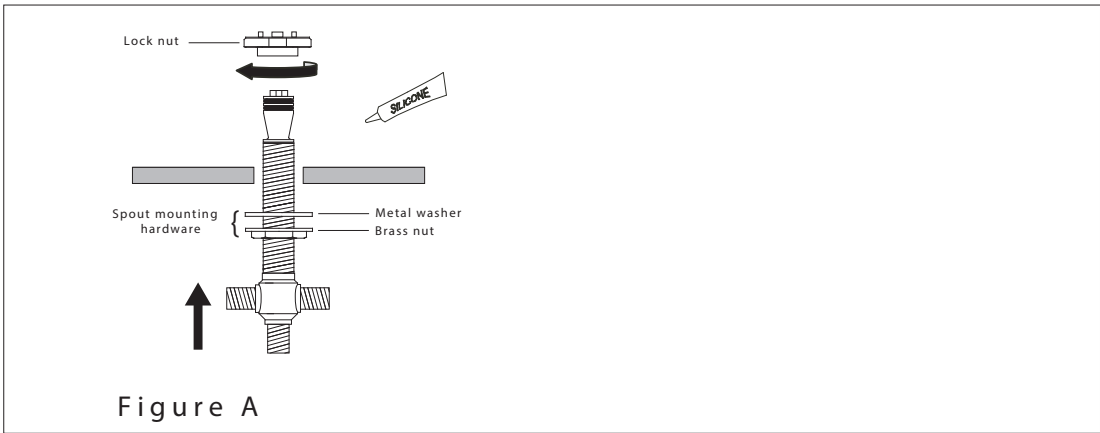
Model number / Número de modelo
13 7208 __ / 13 7238 __
15 72 8 __ / 15 72 3 __

Series / Serie
Metropoli



3501 Challenger Street, Torrance, CA 90503
TEL 310.371.8000 FAX 310.303.7999

Spout Rough / Boquilla Rough



Spout Rough / Boquilla Rough

NOTE: Hole size for the spout, handle trim, and handheld shower is a minimum of 1-1/4" and a maximum of 1-1/2".

NOTA: El tamaño del agujero de la boquilla, manija ajuste, y ducha de mano es un mínimo de 1-1 / 4 "y un máximo de 1-1 / 2".

NOTE: Only remove protective cap while installing rough and when installing the trim. This will keep debris out of moving parts.

Remove protective cap from the head of the shank. DO NOT THROW AWAY.

Turn off HOT and COLD supply lines before beginning installation.

Unscrew the Lock Nut off of the shank and move down the Spout Mounting Hardware a few inches (Figure A).

Apply a ring of silicone caulking around deck hole (Figure A). DO NOT USE PLUMBER'S PUTTY, WHICH CAN DAMAGE THE FINISH.

Slip the remaining Shank Assembly up and through the deck hole from underneath. While holding the assembly up and off of the silicone, thread the lock nut back onto the shank until it bottoms out (Figure A).

NOTE: Find the "front here" mark, which is marked on the base of the Lock Nut, and make sure that it is facing forward (See magnified graphic in Figure B).

IMPORTANT: Set the shank down onto the ring of silicone with the "front here" mark facing forward. Use a long straight edge to align the front of the lock nut parallel with the deck edge. From underneath, tighten the spout mounting hardware until secure (see Figure B).

Wipe away excess silicone with paper towel.

Fit the protective cap back onto the head of the shank until trim is ready for installation.

NOTA: Sólo retire la tapa protectora durante la instalación áspera y al instalar la moldura. Esto evitará que los residuos fuera de partes móviles.

Retire la tapa protectora de la cabeza del vástago. NO TIRE.

Apague las líneas de suministro caliente y fría antes de comenzar la instalación.

Desenrosque la tuerca de seguridad fuera de la espiga y bajar el hardware de montaje Boquilla unas pocas pulgadas (Figura A).

Aplicar un anillo de masilla de silicona alrededor del agujero de cubierta (Figura A). NO USE masilla de plomero, que pueden dañar el acabado.

Deslice la Asamblea caña restante y por el agujero cubierta desde abajo. Mientras sostiene el conjunto hacia arriba y fuera de la silicona, enrosque la tuerca de seguridad de nuevo en el vástago hasta que toque fondo (Figura A).

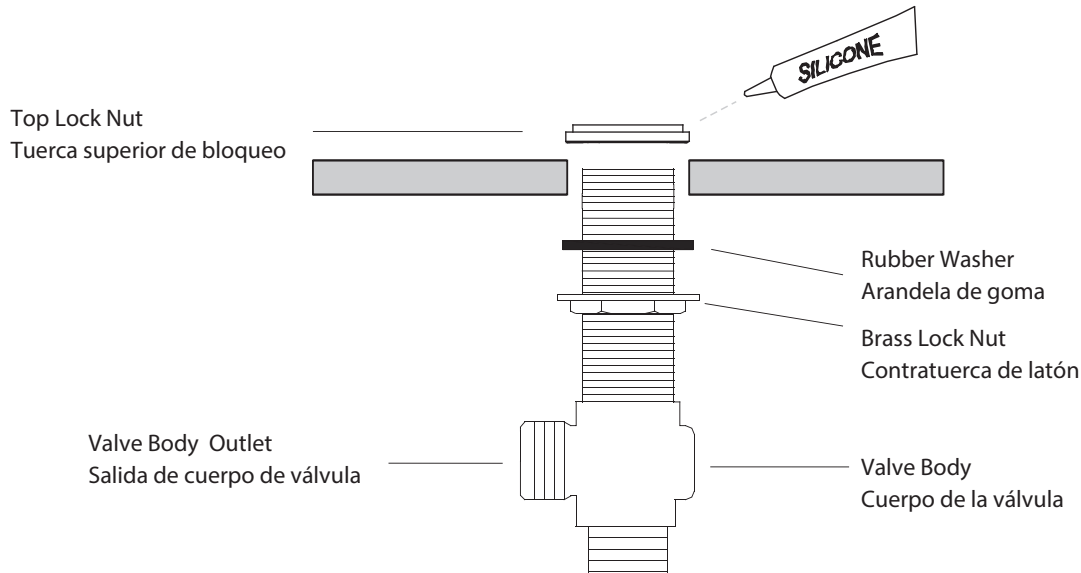
NOTA: Encontrar la marca "frente aquí", que está marcado en la base de la tuerca de seguridad, y asegurarse de que se enfrenta hacia el frente (Ver gráfico ampliado en la figura B).

IMPORTANTE: Ajuste el vástago hacia abajo sobre el anillo de silicona con la marca "frente aquí" frente hacia adelante. Utilice un borde recto larga para alinear la parte delantera de la tuerca de bloqueo en paralelo con el borde de la cubierta. Desde abajo, apriete las piezas de montaje del surtidor hasta que quede firme (ver Figura B).

Limpie el exceso de silicona con una toalla de papel.

Colocar la tapa protectora de nuevo en la cabeza de la espiga hasta que el ajuste está listo para installation.

1



Note: Hole size for the handle trim is a minimum of 1-1/2" and a maximum of 1-5/8".Holes.

Handles must be installed first.

Hot valve "red" mounted to left side.Cold valve "blue" to be mounted to right side.Remove the top lock nut from the valve body.

Nota: El tamaño del agujero para el reglaje de la llave es de un mínimo de 1-1 / 2 "y un máximo de 1-5 / 8" .

Los mangos deben ser instalados en primer lugar.

válvula del agua caliente "rojo" montado a la izquierda de la válvula side.Cold "azul" para ser montado en side.Remove derecha la tuerca de seguridad superior del cuerpo de la válvula.

2

Apply a ring of silicone caulking around deck hole. Do not use plumber's putty, which can damage the finish.

Slip the valve body up and through the proper deck hole from underneath. Thread the top lock nut back onto the valve body and tighten securely.

Note: While tightening the valve body into place, make sure to keep the valve body outlet pointed toward the spout shank.

From underneath the deck, tighten the brass lock nut securely.

Aplicar un anillo de masilla de silicona alrededor del agujero de la cubierta. No use masilla de plomero, que pueden dañar el acabado.

Deslice el cuerpo de la válvula y por el agujero cubierta adecuada desde abajo. Enrosque la tuerca de bloqueo de la parte superior de nuevo en el cuerpo de la válvula y apriete firmemente.

Nota: mientras se aprieta el cuerpo de la válvula en su lugar, asegúrese de mantener la salida del cuerpo de la válvula apuntando hacia el vástago del surtidor.

Desde debajo de la cubierta, apriete la tuerca de seguridad de latón con seguridad.

5

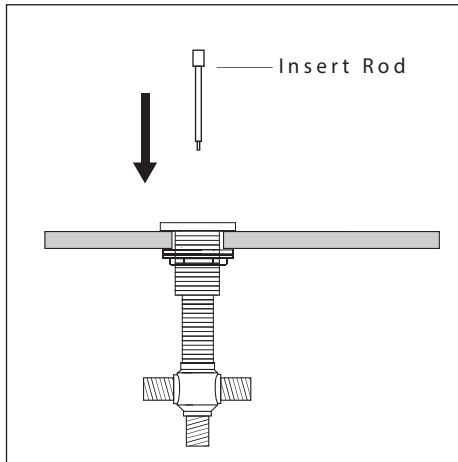


Figure A

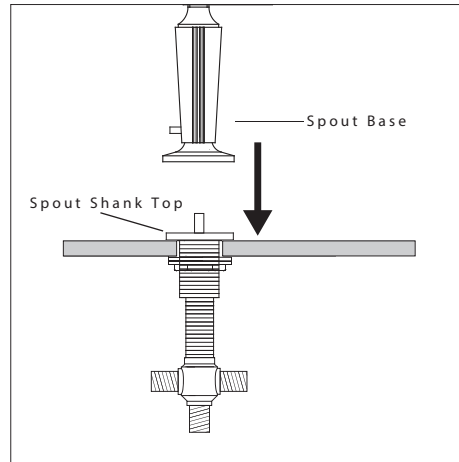


Figure B

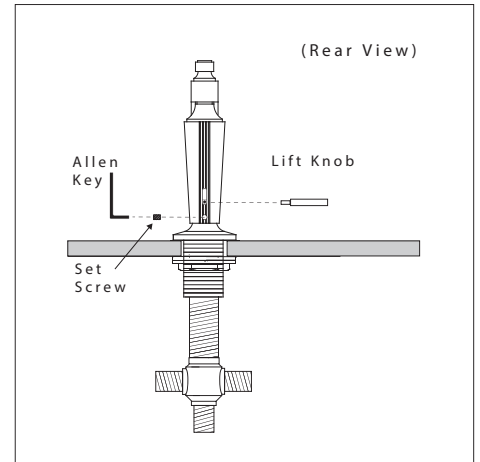


Figure C

Remove the protective cap from the head of the shank.

Screw the Insert Rod into the valve and position the thread hole of the Insert Rod with the chamfer facing to the back. (See Fig. A)

Slip the Spout over the Spout Shank Top and push down until the base is locked securely onto the deck. (See Figure B on next page)

IMPORTANT: Use a straight-edge to align the edge of the spout base exactly parallel with the deck edge. If the spout base is not straight with the deck edge then loosen the Spout Mounting Hardware from underneath, align, and re-secure.

Screw the Lift Knob securely into place. (See Figure C on next page). Tighten the Set Screw with the Allen Key provided. (See Figure C on next page)

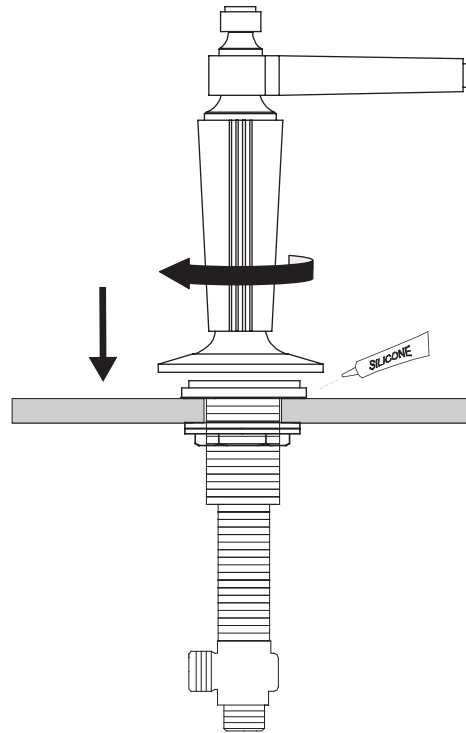
Retire la tapa protectora de la cabeza de la espiga.

Atornillar la varilla de inserción en la válvula y la posición del agujero del hilo de la varilla de inserción con el chaflán frente a la parte posterior. (Ver Fig. A)

Deslizar el surtidor sobre el vástago del conducto superior y empuje hacia abajo hasta que la base está bien encajado en la cubierta. (Ver Figura B en la página siguiente)

IMPORTANTE: Utilice un borde recto para alinear el borde de la base del surtidor exactamente paralela con el borde de la cubierta. Si la base del surtidor no es recto con el borde de la cubierta y luego aflojar el hardware de montaje del surtidor desde abajo, alinear y volver a colocarla.

Tornillo de la perilla de elevación segura en su lugar. (Ver Figura C en la página siguiente) .Apriete el tornillo de fijación con la llave Allen suministrada. (Ver Figura C en la página siguiente)



NOTE: HANDLES MUST BE INSTALLED FIRST

NOTE: In the "off" position, the "hot" handle lever (left) should be in the "9 o'clock" position, and the "cold" handle lever (right) should be in the "3 o'clock" position. In the "on" position, the levers should both turn towards you, not away from you.

Apply a ring of silicone caulking around deck hole. Do not use plumber's putty, which can damage the finish.

Fit the handle down onto the installed valve body.

Turn the handle flange clockwise onto the valve body until tightened down securely.

Make sure that the handle flanges are parallel with each other.

NOTA: Los mangos deben instalarse primero

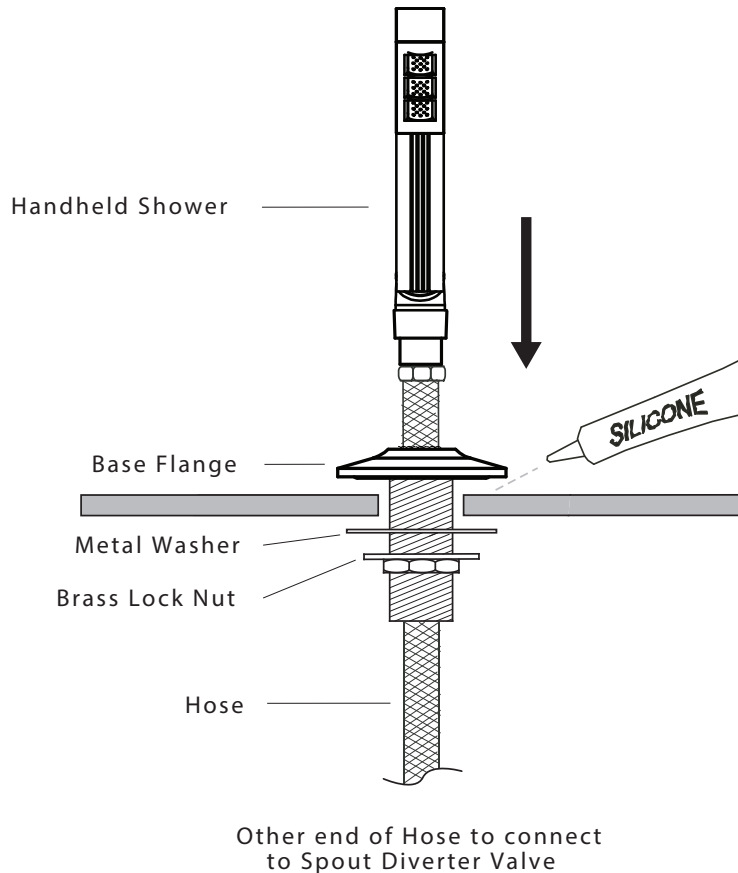
NOTA: en la posición "off", el "caliente" palanca de empuñadura (izquierda) debe estar en la posición de "nueve", y el "frío" palanca de mango (derecha) debe estar en el "tres" posición. en la posición "on", las palancas deben girar tanto hacia usted, no lejos de ti.

Aplicar un anillo de masilla de silicona alrededor del agujero de la cubierta. No use masilla de plomero, que pueden dañar el acabado.

Coloque la manija hacia abajo en el cuerpo de la válvula instalada.

Gire la manija de brida hacia la derecha sobre el cuerpo de la válvula hasta endurecido de forma segura.

Asegúrese de que las bridas de mango son paralelos entre sí.



Handle Trim Installation

Apply a ring of silicone caulking around the hole designated for the handheld shower. Do not use plumber's putty, which can damage the finish.

Remove the hardware from Base Flange. Slip the Base Flange through the appropriate hole in deck. From underneath, attach the Metal Washer and Brass Lock Nut. Tighten firmly to avoid leakage.

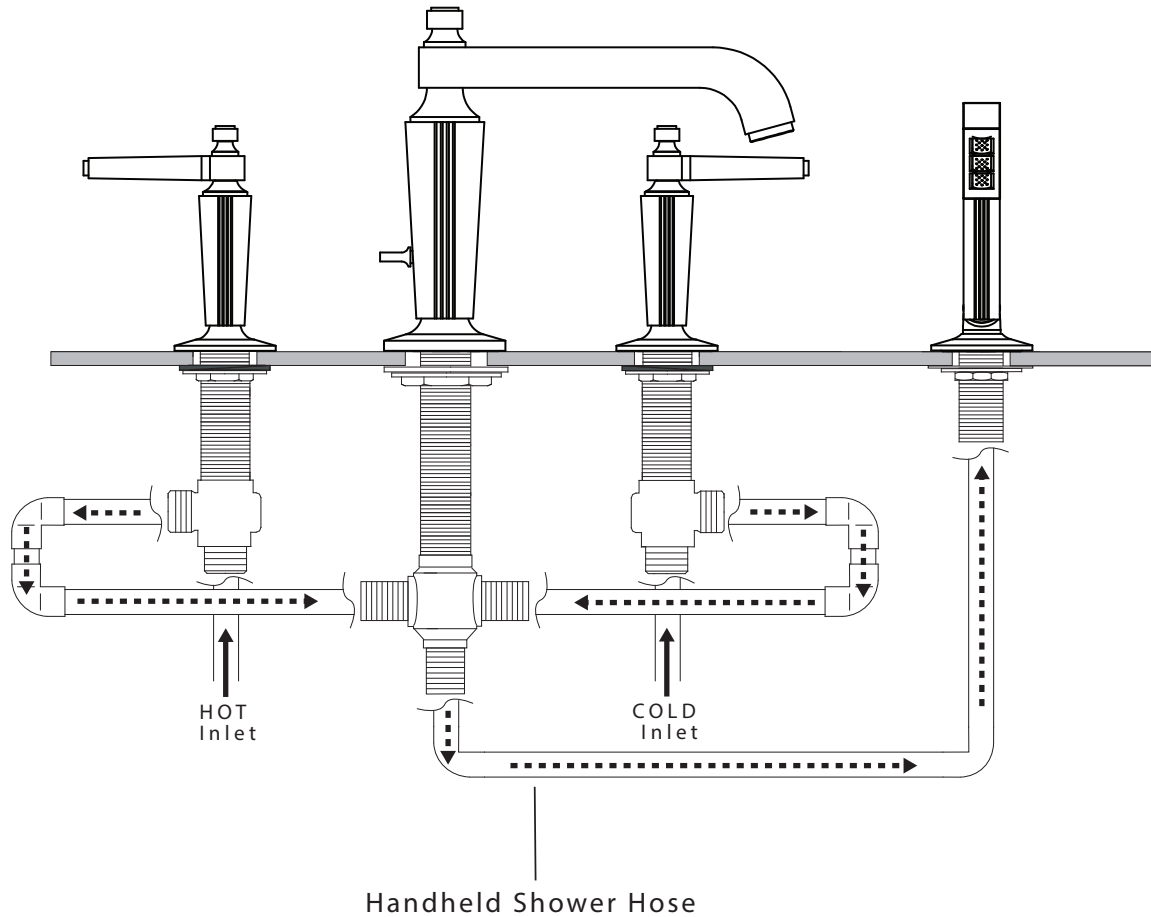
From underneath the deck attach the larger side of the 57" hose to the Spout Diverter Valve. Slip the smaller end of the hose up through the base flange and connect to the handheld shower. Tighten both ends firmly to avoid leakage.

Maneje instalación Recorte

Aplicar un anillo de masilla de silicona alrededor del agujero designado para la ducha de mano. No use masilla de plomero, que pueden dañar el acabado.

Retire el hardware de Brida Base. Deslice la brida de la base a través del agujero apropiado en la cubierta. Desde abajo, coloque la arandela de metal y latón tuerca de seguridad. Apriete con firmeza para evitar fugas.

Desde debajo de la cubierta de adjuntar el lado mayor de la "manguera de 57 a la válvula de desvío del canalón. Deslice el extremo más pequeño de la manguera a través de la brida de la base y conectar con la ducha de mano. Apriete firmemente ambos extremos para evitar fugas.

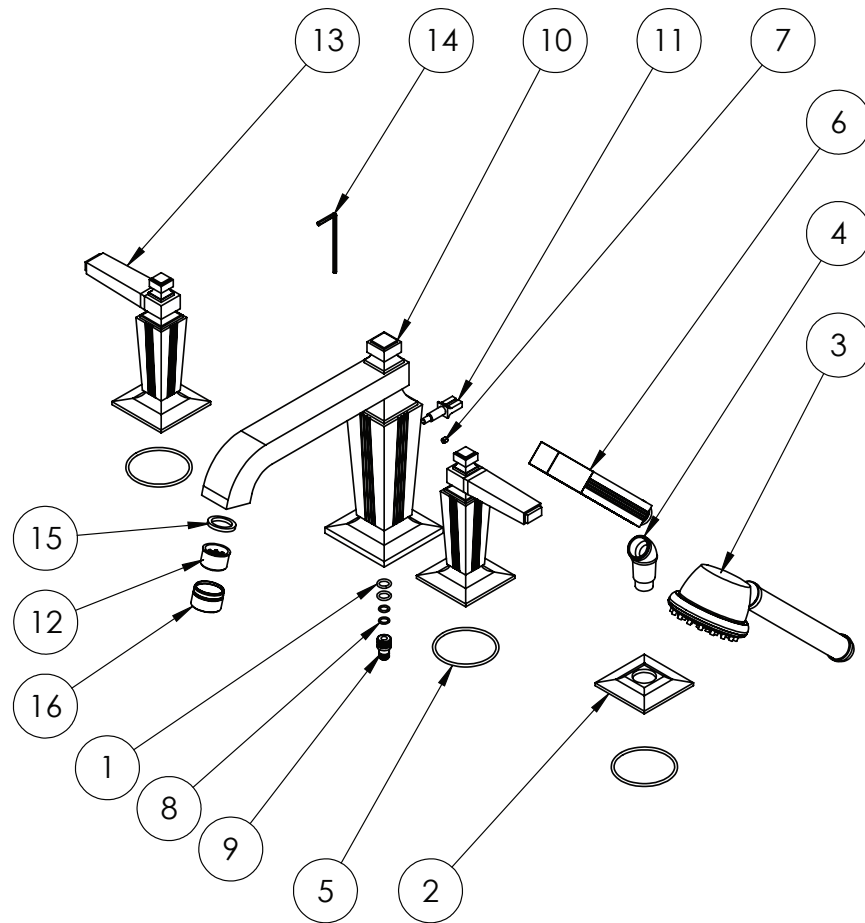


NOTE: The manufacturer recommends the use of hard pipe for all connections except for the handheld shower hose.

It is also recommended that an access panel be provided for all Roman Tub installations.

NOTA: El fabricante recomienda el uso de tubería dura para todas las conexiones excepto la manguera de la ducha de mano.

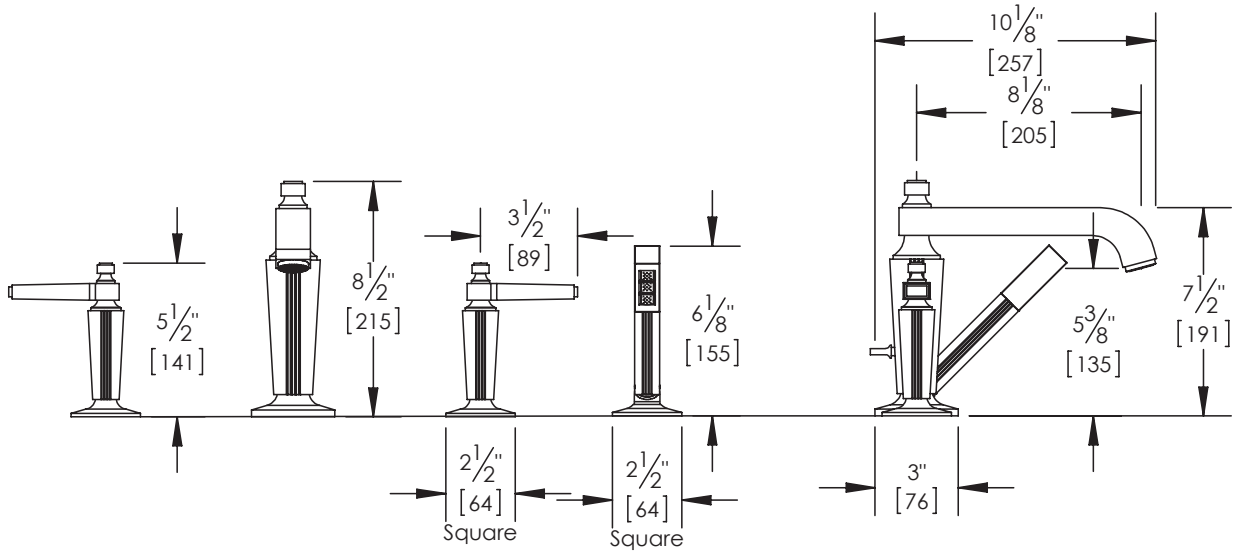
También se recomienda que se proporcione un panel de acceso para todas las instalaciones romana de hidromasaje.



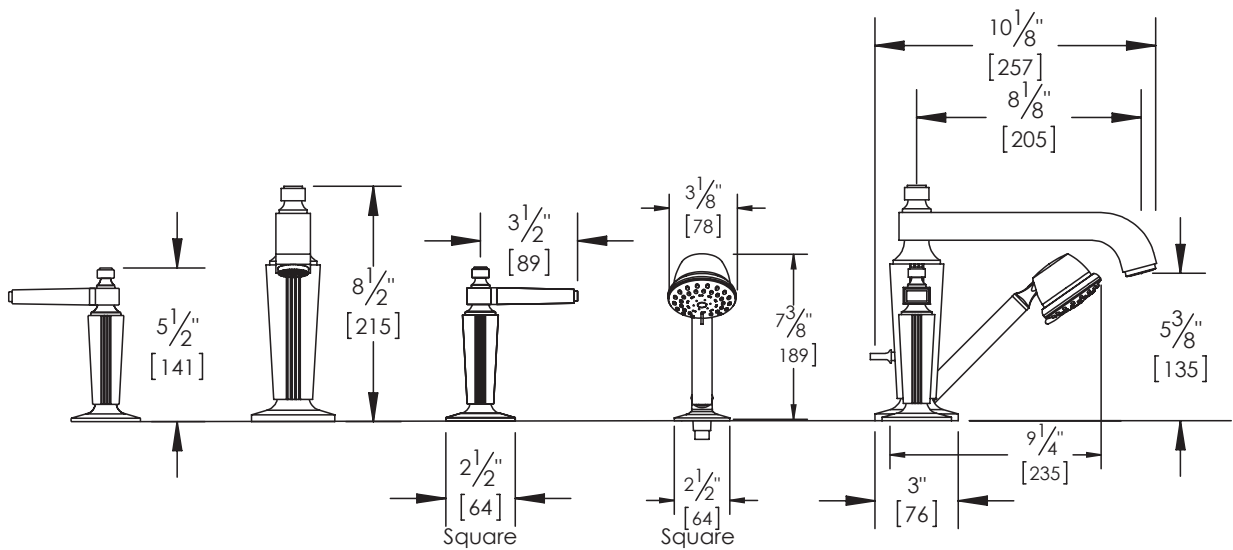
ITEM NO.	PART NUMBER	DESCRIPTION	QTY.
1	PM-742	Rubber O-ring	2
2	PH2748-1	Flange	2
3	VHS-350	Multi Function Handheld Shower	1
4	PA3015	Elbow	2
5	PM-961	O-ring	3
6	VHS-300	Handheld Shower	1
7	PM-027	Set Screw	1
8	PM-017	O-Ring	3
9	VP00030	insert Tube	1
10	VPS-5MT00-U-2	Roman Tub Spout	1
11	VP00026	Lift Knob Rod	1
12	PM-355	Diffuser	1
13	RT-MT	Lever	2
14	PM-033	Allen Key	1
15	PM-356	Washer	1
16	P0255L	Aerator	1

ARTÍCULO NO.	PARTE NÚMERO	DESCRIPCIÓN	CANT.
1	PM-742	Junta tórica de goma	2
2	PH2748-1	Brida	2
3	VHS-350	Función Multi ducha de mano	1
4	PA3015	Codo	2
5	PM-961	Junta tórica	3
6	VHS-300	Ducha de mano	1
7	PM-027	Tornillo de ajuste	1
8	PM-017	O-Ring	3
9	VP00030	inserte el tubo	1
10	VPS-5MT00-U-2	Romano conducto de la tina	1
11	VP00026	Levante perilla de la barra	1
12	PM-355	Difusor	1
13	RT-MT	Palanca	2
14	PM-033	Llave Allen	1
15	PM-356	Lavadora	1
16	P0255L	aireador	1

13 7208__



13 7238__



FINISH CARE INFORMATION

WARNING: Do not clean your VISSONI product with ammonia (Window cleaner), bleach, soaps, acids, abrasives, harsh polishes, harsh cleaners, a coarse surfaced cloth, coarse sponge, or any type of scouring pad. doing so may ruin your faucet finish and / or void the warranty.

Thank you for making VISSONI a part of your lifestyle and luxury spa experience. Our products have been created as works of enduring quality and sophisticated design. Luxurious finishes need proper care and attention, so in order to understand how to properly clean your distinctive luxury finish please refer to the finish care information below:

Your VISSONI product can be identified in one of two categories: clear coated finishes or non-clear coated finishes. Clear coated finishes are more scratch-sensitive and more reactant to harsh cleaning chemicals than non-clear coated finishes. Once you have identified the specific luxury finish of your VISSONI product, please follow the important corresponding care instructions.

CLEAR COATED FINISHES

Polished & Satin 24K Gold: The Karat mark states the percentage of pure gold -- 24K is 100 percent gold. As one of the Earth's most precious metals, gold is the most supple and malleable of all metals. Gold-plated faucets scratch easily. To clean, wipe down with a dry soft cloth after each use. Gold surfaces should be coated with a thin layer of non-abrasive carnauba wax or liquid car wax up to 3 or 4 times per year. This will prevent water spotting and water deposit buildup. We recommend using VISSONI's Polish which has been formulated to clean and seal, leaving behind a protective coating that will resist tarnishing and improve water repellency.

Antique Bronze : Antique bronze simulates the antiquity of Old-World craftsmanship with a golden base color and a blend of dark undertones. To clean, wipe down with a dry soft cloth after each use. Antique Bronze should be coated with a thin layer of non-abrasive carnauba wax or liquid car wax up to 3 or 4 times per year. We recommend using VISSONI's Polish which has been formulated to clean and seal, leaving behind a protective coating that will resist tarnishing and improve water repellency.

LIFETIME LIMITED WARRANTY

VISSONI is committed to enhancing your bathroom experience by creating luxury products that will provide enduring satisfaction. Every effort has been made to satisfy the highest standards of design and production, to create lasting peace of mind for our customers. We provide the following limited warranties on our products:

LENGTH OF WARRANTY & WHO IS COVERED BY OUR WARRANTY

This warranty extends to the original consumer purchaser only and extends for as long as the original purchaser owns the product and the home in which the product is installed.

WHAT IS COVERED BY OUR WARRANTY

Finishes: polished chrome, platinum, and satin platinum finishes carry a lifetime limited warranty against all manufacturer's defects and tarnish. 24k polished gold and 24k satin gold finishes carry a one (1) year limited warranty against all manufacturer's defects and tarnish. antique bronze, and oil-rubbed bronze finishes carry a five (5) year Limited Warranty against all manufacturer's defects and tarnish.

Mechanical: A Lifetime Limited Warranty is provided on parts to be free from failure related to defects in materials and workmanship. Vissoni cartridges carry a Five (5) Year Limited Warranty against manufacturer's defects.

EXCLUSIONS AND LIMITATIONS OF WARRANTY

This warranty does not cover:

1. Damage due to negligence, accident, abuse, improper installation, or improper maintenance such as, but not limited to: heat from soldering during installation, the use of plumber's putty, damage from tools used during installation, the use or exposure to chemicals or cleaning products either abrasive or non-abrasive, or the use of any cleaning tool or product other than a soft, clean cloth. reverse osmosis may also shorten the life of the finish.

2. Changes in the finish in the product due to normal wear or aging does not cover any products or parts which have been altered or used in a manner not typical for the product.

Oil Rubbed Bronze: Oil-rubbed bronze simulates the antiquity of Old-World craftsmanship with its warm, dark brown color and copper undertones. To clean, wipe down with a dry soft cloth after each use. Oil-rubbed bronze should be coated with a thin layer of non-abrasive carnauba wax or liquid car wax up to 3 or 4 times per year. We recommend using VISSONI's Polish which has been formulated to clean and seal, leaving behind a protective coating that will resist tarnishing and improve water repellency.

NON-CLEAR COATED FINISHES

Polished Chrome : chrome plating is extremely reflective, with a rich bluish luster. To clean, wipe down with a dry soft cloth after each use. A non-abrasive all-metal cleaner can then be applied to restore the shine. The surface can also be coated with a thin layer of non-abrasive carnauba wax or liquid car wax. This will prevent water spotting and water deposit buildup. We recommend using VISSONI's Polish which has been formulated to clean and seal, leaving behind a protective coating that will resist tarnishing and improve water repellency.

Platinum & Satin Platinum: Platinum is the most precious of white metals and is over 20 times rarer than gold. It is also very durable and resists tarnishing. To clean, wipe down with a dry soft cloth after each use. A non-abrasive all-metal cleaner can then be applied to restore the shine. The surface can also be coated with a thin layer of non-abrasive carnauba wax or liquid car wax. This will prevent water spotting and water deposit buildup. We recommend using VISSONI's Polish which has been formulated to clean and seal, leaving behind a protective coating that will resist tarnishing and improve water repellency.

If you may have any further questions, comments, or concerns please write to us at www.info@vissoni.com.

3. Loss, damages, or expense, incidental or consequential whatsoever, originating from the purchase, installation, use, repair, failure, or replacement of any VISSONI product or part, allowed by law.

4. Commercial and/or Industrial installations and use of the product.

5. This warranty does not include labor, travel charges, or any costs incurred for repair, removal, installation, servicing, diagnosing, or handling of either defective or replacement parts

the product or components of the covered product will be repaired, refinished, or replaced, at the sole discretion of VISSONI. VISSONI reserves the right to examine any product claimed defective prior to any warranty claim being accepted or processed. At its sole discretion. This warranty gives you specific legal rights and may have other rights which may vary from state to state.

TO OBTAIN WARRANTY SERVICE

Please read 'WHAT IS COVERED BY OUR WARRANTY' and 'EXCLUSIONS AND LIMITATIONS OF WARRANTY' sections to understand what is and what is not covered. Please have ready the proof of purchase (original sales receipt), description of the problem, and carefully package the product or defective part with postage prepaid. Then, please contact your local VISSONI Showroom or write to VISSONI Technical Services.

FINISH CARE INFORMATION

ADVERTENCIA: No limpie su producto VISSONI con amoníaco (Limpiador de ventanas), lejía, jabones, ácidos, abrasivos, pulimentos ásperos, limpiadores abrasivos, una gruesa superficie trapo, esponja gruesa, o cualquier tipo de estropajo. Si lo hace puede arruinar y por acabado grifo y / o anular la garantía.

Gracias por hacer VISSONI una parte de su experiencia de vida y un spa de lujo usted. Nuestros productos han sido creados como obras de calidad duradera y diseño sofisticado. acabados de lujo necesitan cuidado y atención, por lo que con el fin de entender cómo acabado de lujo adecuadamente cleanyour distintivo por favor consulte la información sobre el cuidado acabado a continuación:

su producto VISSONI puede ser identificado en una de dos categorías: finshes claro recubiertos o revestidos acabados no claras. acabados revestidos claros son más sensibles a los arañazos y mucho más reactivo a productos químicos de limpieza agresivos que los acabados revestidos no claras. una vez que haya identificado el acabado de lujo específica de su producto VISSONI, por favor, siga las instrucciones importantes de cuidados correspondientes.

CLEAR COATED FINISHES

Pulido y satinado oro 24K: La marca Quilates establece el porcentaje de oro puro - 24K es 100 por ciento de oro. Como uno de los metales más preciosos de la Tierra, el oro es el más suave y maleable de todos los metales. Grifos chapados en oro rayan fácilmente. A limpio, limpie con un paño suave y seco después de cada uso. Superficies de oro deben estar recubiertas con una capa delgada de cera de carnauba no abrasivo o líquido cera del coche hasta 3 o 4 veces al año. Esto evitará que las manchas de agua y la acumulación de depósitos de agua. Le recomendamos que utilice polaca de VISSONI que ha sido formulado para limpiar y sello, dejando tras de sí una capa protectora que resista empañar y mejorar la repelencia al agua.

Bronce antiguo: bronce antiguo simula la antigüedad de la artesanía del viejo mundo con una base de color dorado y una mezcla de tonos oscuros. Para limpiar, limpie con un paño suave y seco después de cada uso. Bronce antiguo debe ser recubierto con una fina capa de cera de carnauba no abrasivo o líquido cera del coche hasta 3 o 4 veces al año. Le recomendamos que utilice polaca de VISSONI que ha sido formulado para limpiar y sello, dejando tras de sí una capa protectora que resista empañar y mejorar la repelencia al agua.

LIFETIME LIMITED WARRANTY

VISSONI se compromete a mejorar su experiencia de baño mediante la creación de productos de lujo que proporcionarán satisfacción duradera. Se ha hecho todo lo posible para satisfacer los más altos estándares de diseño y producción, para crear una paz duradera de la mente de nuestros clientes. Ofrecemos las siguientes garantías limitadas en nuestros products:

LENGTH OF WARRANTY & WHO IS COVERED BY OUR WARRANTY

Esta garantía se extiende sólo al comprador original y se extiende durante el tiempo que el comprador original sea propietario del producto y el hogar en el que está instalado el producto.

WHAT IS COVERED BY OUR WARRANTY

Acabados: cromo, p, acabados platino latinum y satén pulidos tienen una garantía limitada de por vida contra defectos de fabricación y todos empañan. 24k oro pulido y acabados de oro 24k satén llevan un ome (garantía limitada de 1 año contra defectos de todo del fabricante y empañan. Bronce antiguo, y acabados de bronce antiguo tienen una garantía limitada de cinco (5) años contra defectos de todo del fabricante y empañan.

Mecánica: A Lifetime Garantía Limitada se proporciona en las partes a estar libre de fallos relacionados con defectos en materiales y mano de obra. Cartuchos Vissoni llevan una (5) Garantía de cinco años limitada contra defectos de fabricación

EXCLUSIONS AND LIMITATIONS OF WARRANTY

1.Damage debido a la negligencia, accidente, abuso, instalación incorrecta o mantenimiento inadecuado, tales como, pero no limitado a: el calor de la soldadura durante la instalación, el uso de masilla de plomero, el daño de las herramientas utilizada durante la instalación, el uso o la exposición a sustancias químicas o productos abrasivos o bien no abrasivos, o el uso de cualquier herramienta de limpieza o producto que no sea un paño suave y limpio de limpieza. ósmosis inversa también puede acortar la vida de la meta.

2.changes en el acabado en el producto debido al desgaste normal o el envejecimiento no cubre cualquier producto o piezas que hayan sido alterados o usados de una manera que no es típico para el producto..

Aceitado Bronce: bronce aceitado simula la antigüedad de la artesanía del viejo mundo con sus cálidos colores y matices de cobre, de color marrón oscuro. Para limpiar, limpie con un paño suave y seco después de cada uso. Bronce antiguo debe ser recubierto con una fina capa de cera de carnauba no abrasivo o líquido cera del coche hasta 3 o 4 veces al año. Le recomendamos que utilice polaca de VISSONI que ha sido formulado para limpiar y sello, dejando tras de sí una capa protectora que resista empañar y mejorar la repelencia al agua.

NON-CLEAR COATED FINISHES

Cromo pulido: cromado es muy reflexivo, con un rico brillo azulado. limpiar, limpie con un paño suave y seco después de cada uso. Un limpiador no abrasivo todo de metal puede entonces ser aplicado a restaurar el brillo. La superficie también se puede recubrir con un laye r delgada de cera de carnauba no abrasivo o la cera del coche líquido. Esto evitará que las manchas de agua y la acumulación de depósitos de agua. Le recomendamos que utilice polaca de VISSONI que ha sido formulado para limpiar y sello, dejando tras de sí una capa protectora que resista empañar y mejorar la repelencia al agua.

Platino y satén Platinum: El platino es el más precioso de los metales blancos y es más de 20 veces más raro que el oro. También es muy durable y resistente a las manchas. Para limpiar, limpie con un paño suave y seco después de cada uso. Un limpiador no abrasivo todo de metal puede entonces ser aplicado a restaurar el brillo. La superficie también se puede recubrir con una capa delgada de cera de carnauba no abrasivo o la cera del coche líquido. Esto evitará que las manchas de agua y la acumulación de depósitos de agua. Le recomendamos que utilice polaca de VISSONI que ha sido formulado para limpiar y sello, dejando tras de sí una capa protectora que resista empañar y mejorar la repelencia al agua.

Si es posible que tenga alguna duda, comentario o inquietud por favor escribanos a www.info@vissoni.com.

3.Loss, daños o gastos, incidental o consecuente de ningún tipo, provenientes de la compra, instalación, uso, reparación, el fracaso, o el reemplazo de cualquier producto o pieza VISSONI, permitido por la ley.

Instalaciones y uso del producto 4.Commercial y / o industriales.

5.This garantía no incluye la mano de obra, los gastos de viaje, o los costos incurridos para la reparación, remoción, instalación, mantenimiento, diagnóstico o tratamiento de cualquiera de las partes defectuosas o de reemplazo

el producto o los componentes de los productos regulados serán reparados, restaurados, o relaced, a la sola discreción de VISSONI
VISSONI se reserva el derecho de examinar cualquier producto defectuoso afirmó antes de cualquier reclamación de garantía de ser aceptados o procesados,
A su sola discreción. Esta garantía le otorgan derechos legales específicos y puede tener otros derechos que pueden variar de stae a estado.

TO OBTAIN WARRANTY SERVICE

Por favor, lea "lo que es cubierto por nuestra garantía" y "Exclusiones y limitaciones de la garantía 'secciones de entender lo que es y lo que no está cubierto. Por favor tenga listo el comprobante de compra (recibo de venta original), descripción del problema, y el paquete con cuidado el producto o pieza defectuosa con franqueo pagado. Entonces, por favor contacte a su VISSONI Showroom local o escriba a Servicios Técnicos VISSONI.